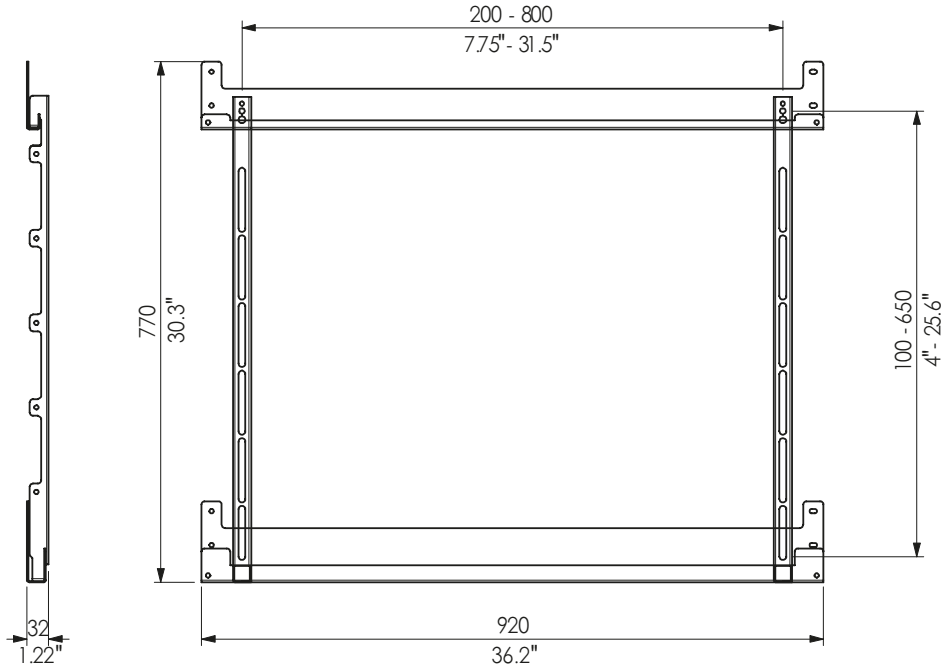


ActivPanel Adjustable Stand 650

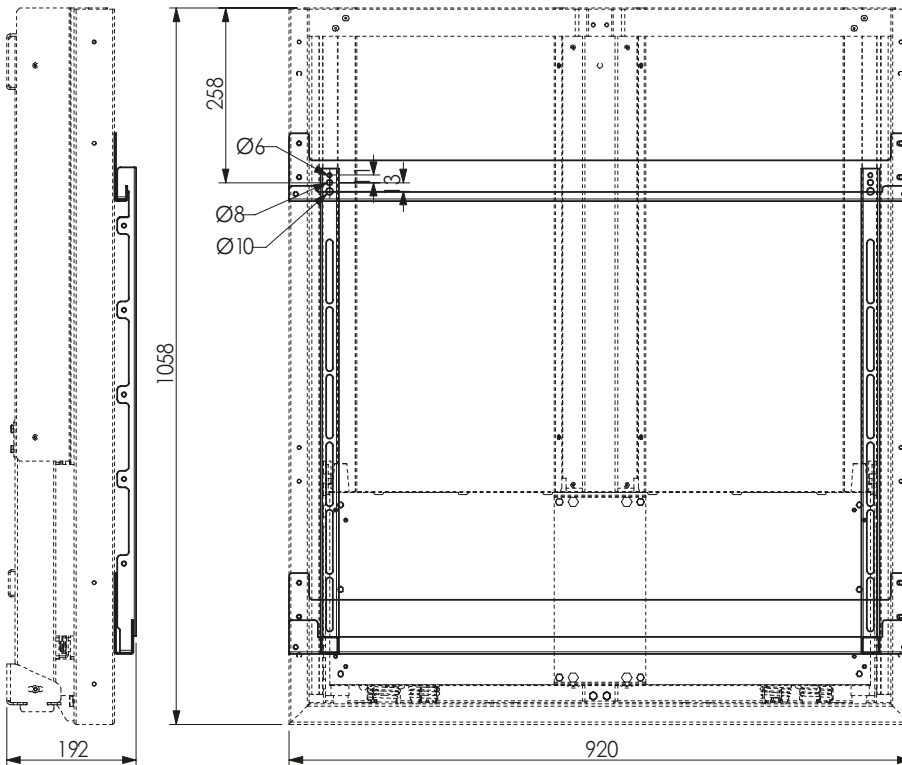
PRODUCT SPECIFICATIONS

Vesa Mount for use with APT2-84 & AP4-84-4k

Dimensions mounted on ActivPanel Adjustable Stand 400 (not included)



Screen mounting hardware included metric: M4, M6, M8



ActivPanel Adjustable Stand 650

Vesa Mount for use with APT2-84 & AP4-84-4k

PRODUCT SPECIFICATIONS

ADJUSTABLE STAND SPECIFICATIONS

Weight and Dimensions

	Length	Height	Depth	Weight	Max. Load Cap.		Length	Height	Depth	Weight	Max. Load Cap.
	920 mm	770 mm	32 mm	4.4 kg	200 kg		36.2 in	30.3 in	1.22 in	9.25 lbs	440 lbs
Shipping	945 mm	135 mm	45 mm	4.8 kg	N/A		37.20 in	5.30 in	1.77 in	10.1 lbs	N/A
Material	Sheet steel										
Finish	Powder coated black: RAL9005										